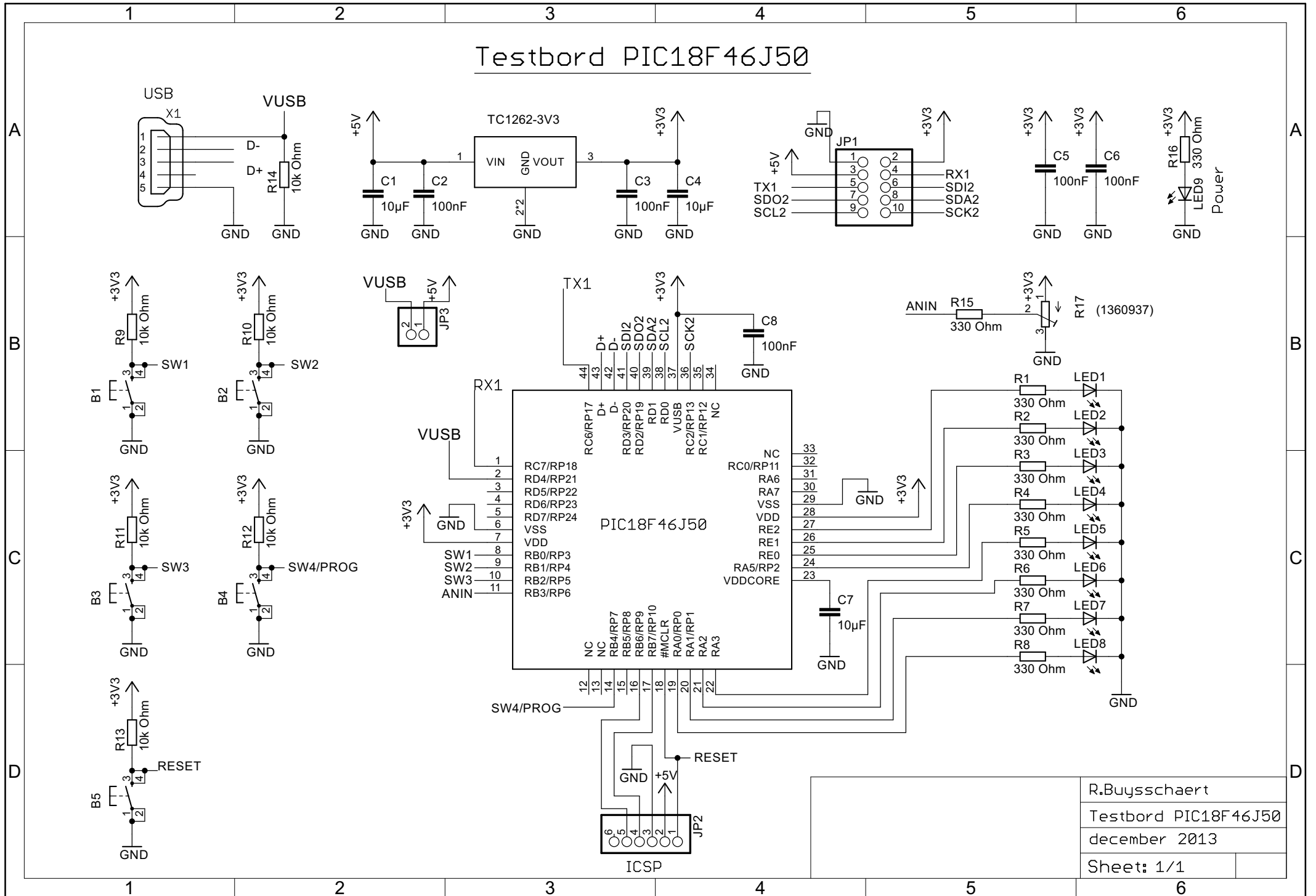


# Testbord PIC18F46J50



R.Buyschaert  
 Testbord PIC18F46J50  
 december 2013  
 Sheet: 1/1